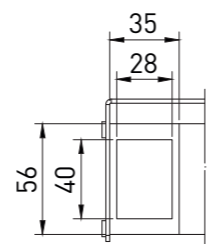
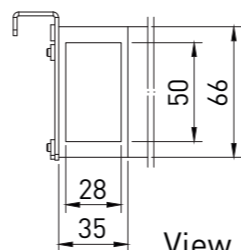


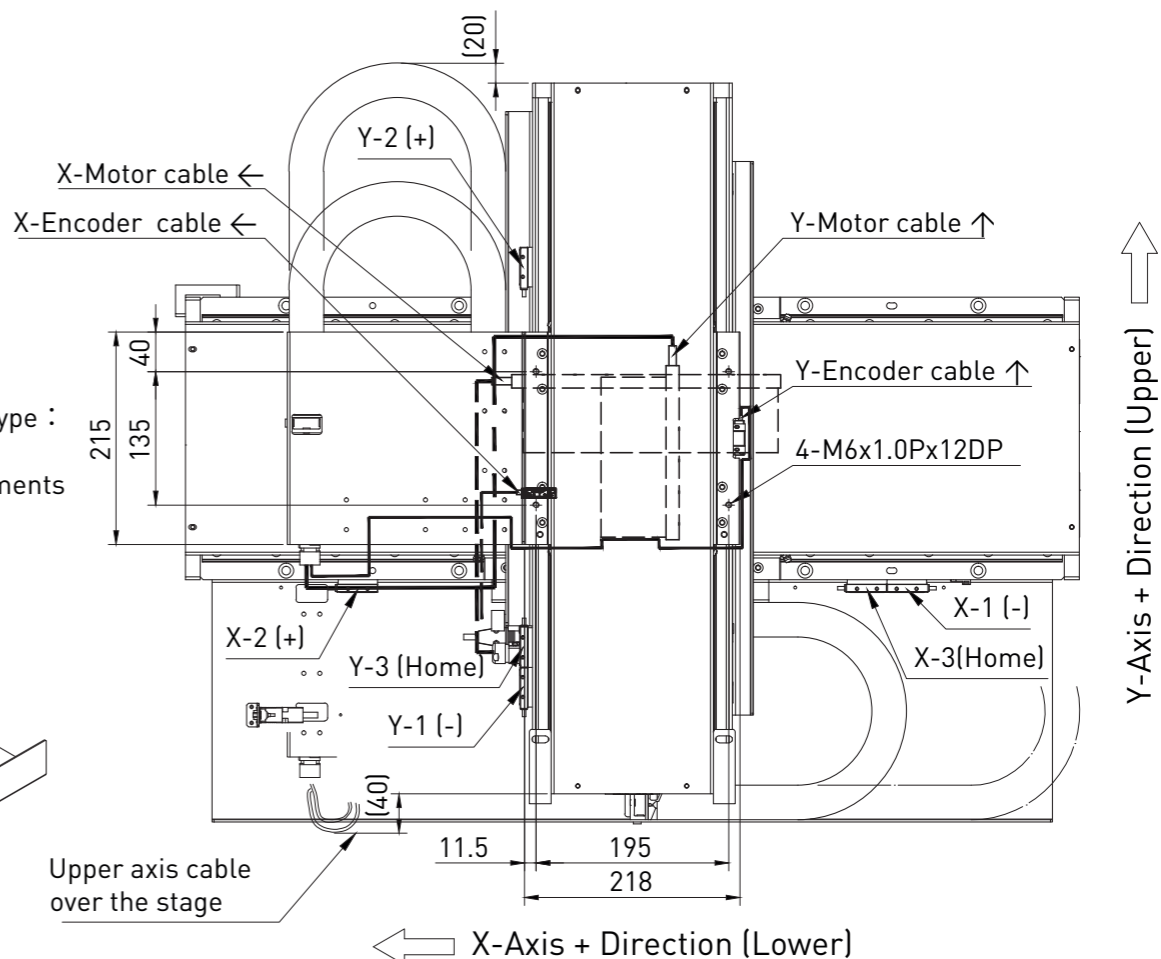
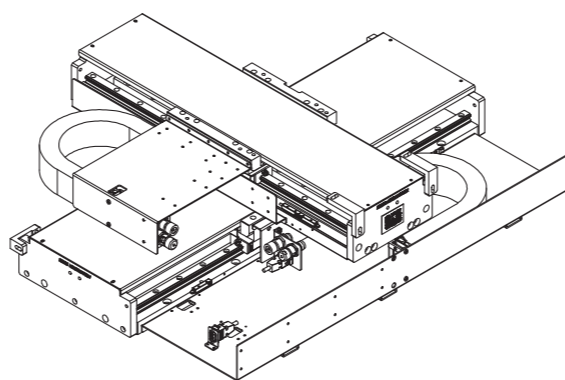
StageType	LMX2C-CB5-CB8-400-500-K1AC
Motor Type	Y-axis(upper) : LMCB5 ; X-axis(lower) : LMCB8
Stroke (mm)	Y-axis(upper) : 400 ; X-axis(lower) : 500
Repeatability (m)	Y-axis : ± 1 ; X-axis : ± 1 (with HIWIN solution)
Accuracy (m)	Y-axis : ± 3 ; X-axis : ± 3 (with error mapping)
Max. Velocity (m/s)	Y-axis : 0.3 ; X-axis : 0.3 (with payload)
Max. Acceleration(m/s^2)	Y-axis : 5 ; X-axis : 5 (with payload)
Linear Encoder	Renishaw TTL Optical , Digital 0.1um, Q4BCY30D20A
Linear Scale	RTL40-S
Vertical Straightness (µm)	± 5 / 300 mm
Horizontal Straightness (µm)	± 5 / 300 mm
Yaw (arc-sec)	± 5 / 300 mm
Pitch (arc-sec)	± 5 / 300 mm
Orthogonality (arc-sec)	10 (200x200mm central stroke)
Limit Switches	Wenglor Inductive PNP (NC) , I1BH009
Moving Slide	Aluminum with black anodized finish
Stationary Base	Aluminum with black anodized finish
Payload (kg)	5
Moving Mass (kg)	Y-axis : 5 ; X-axis : 40
Stage Weight (kg)	{ 80 }
Grease Type	HIWIN G04 (for normal environment)
Input voltage(V)	220
Drive architecture	Single
Drive Type	HIWIN ED1 recommended
Stage orientation	Horizontal



View A
Y-axis Cable Chain type :
R6.29.040.055.0
R6.29.01*2 per 2 elements



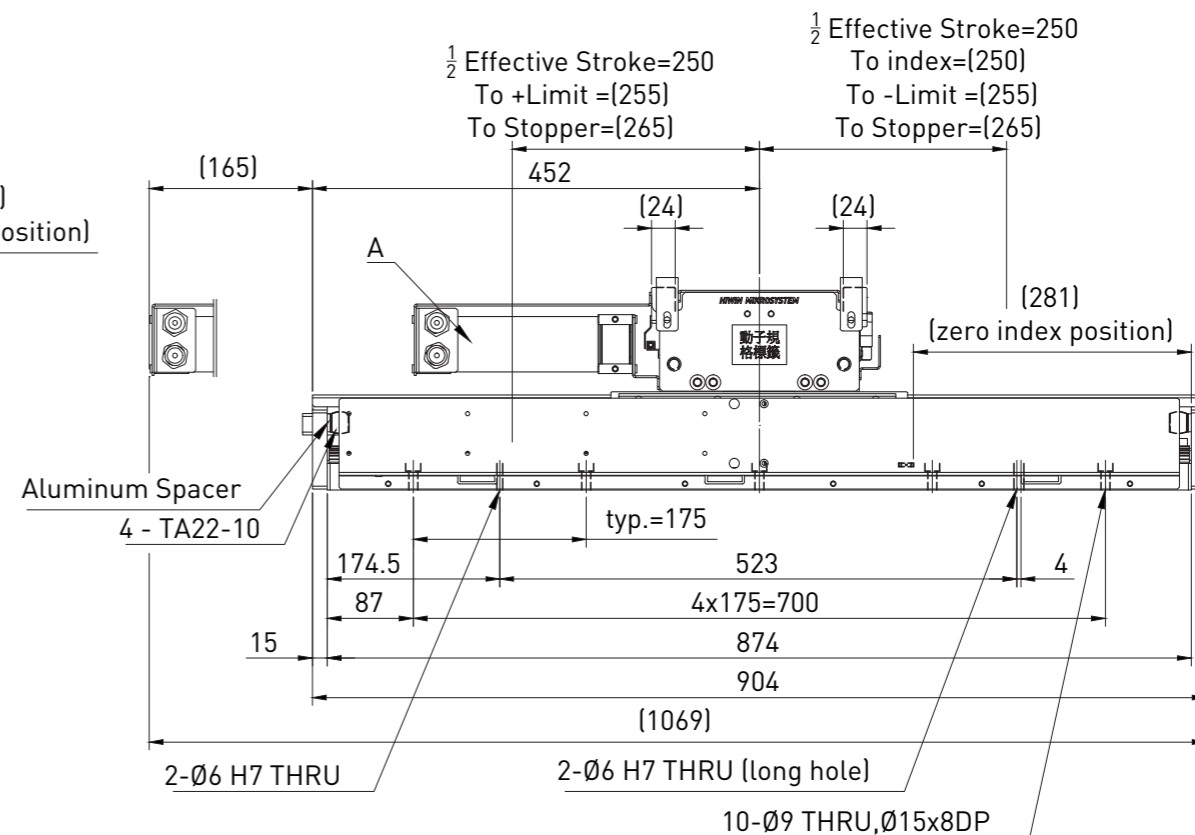
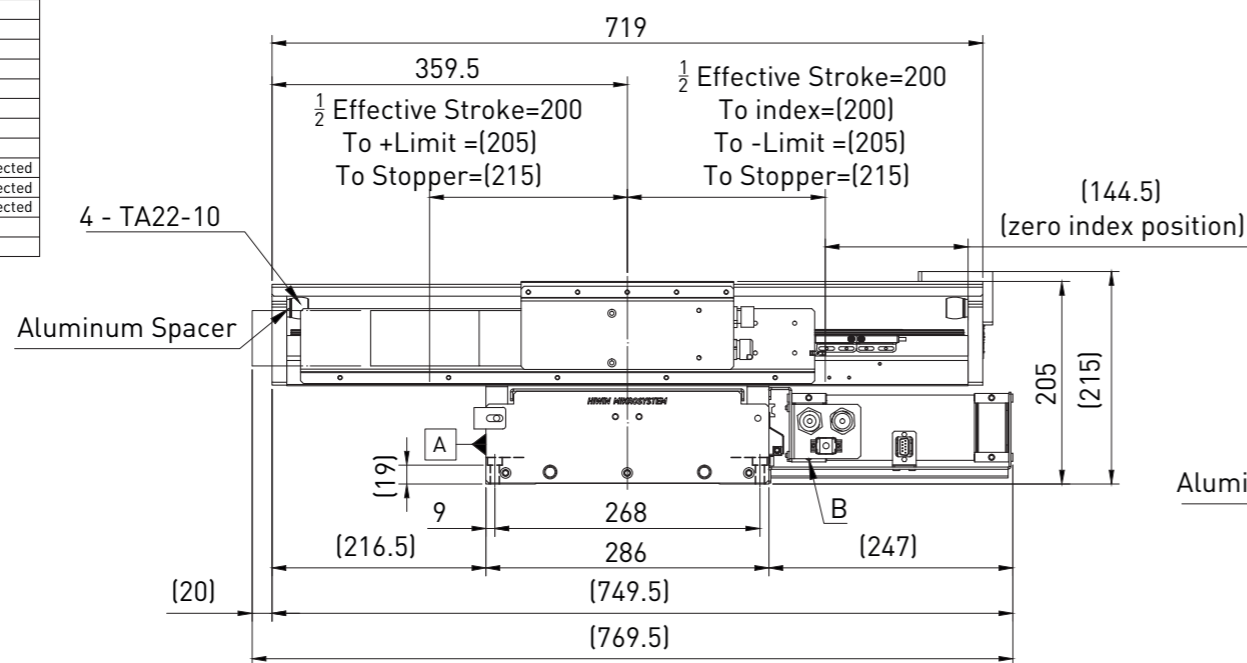
View B
X-axis Cable Chain type :
R6.29.050.055.0
R6.29.01*2 per 2 elements



Function	Signal	Color (A-9531-0237-01)	8-10-0089 (Male)
Power	5V	Brown	4
		Brown(link)	5
	0V	White	12
		White(link)	13
Incremental signals	A+	Red	9
	A-	Blue	1
	B+	Yellow	10
	B-	Green	2
Reference mark	Z+	Violet	3
	Z-	Grey	11
Limit switch	P	Pink	Not connected
	Q	Black	Not connected
Alarm	E-	Orange	Not connected
Remote CAL	CAL	Clear	14
Shield	-	Screen	Case

Signal	Color (CF10.05.05)	8-10-0104 Male
U	Brown	1
V	White	4
W	Grey	3
GND	Shield	Case
T+	Yellow	5
T-	Green	6

Signal	Color	D-Sub Male-9P
2-A	Black	1
-	Blue	2
3-A	Black	3
		4
		5
+	Brown	6
1-A	Black	7
		8
		9



HIWIN MIKROSYSTEM CORP.				TYPE	LM ROBOTS (XY-Stage)
ROUGH 1/2				CUSTOMER	H-GERMANY
FIT 1/2				DATE	Apr.13.23
GRD 1/2				MATERIAL	\
SCALE				FINISH	\
1:X				PART NO	FM21M2342700
TOLERANCE mm				NAME	DWG NO
UP 6				APPD	張家榮
TO 6				APPROVAL	M23427 A2 1-1
±0.1					
±0.2					
±0.3					
±0.4					
±0.5					
±0.8					
±1.0					
±1.5					