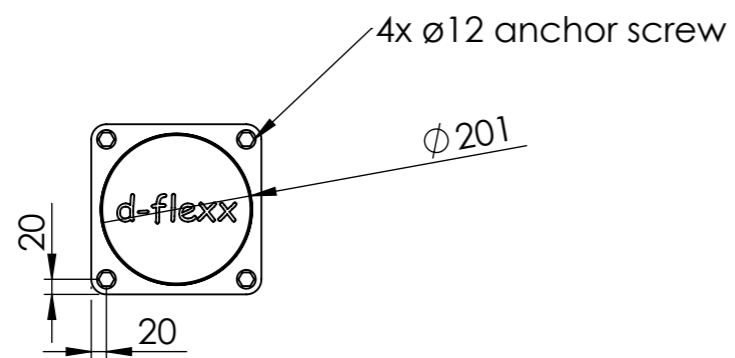
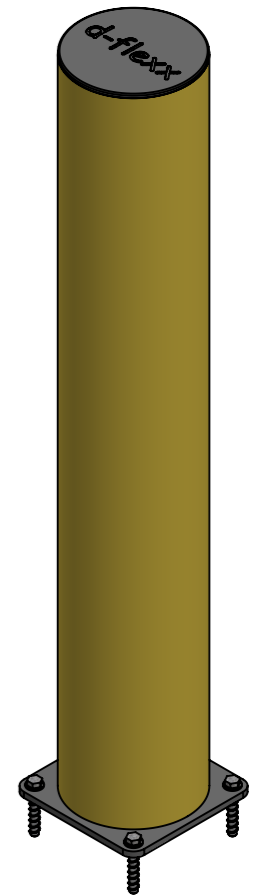
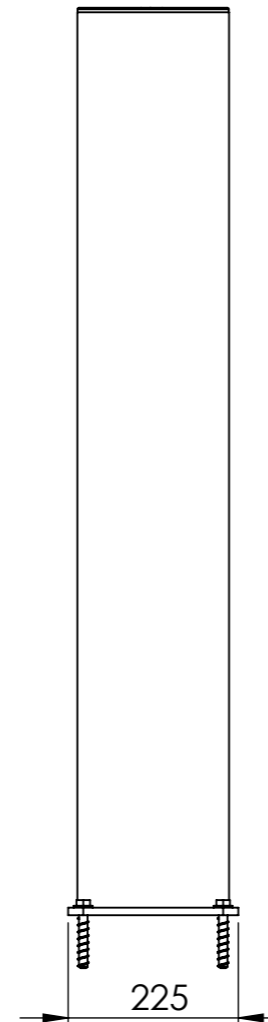
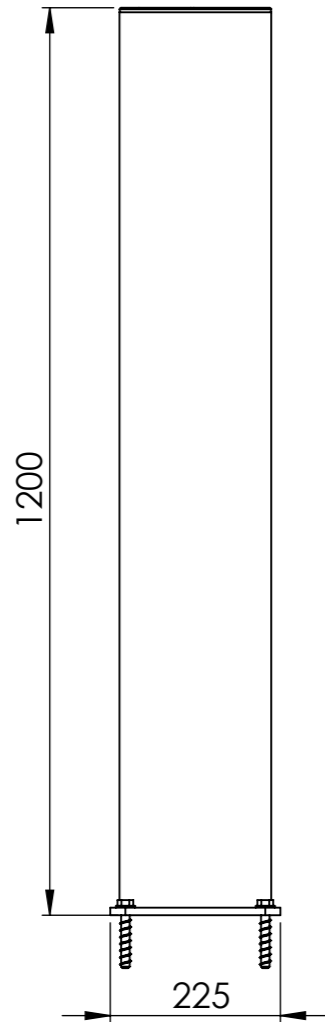


Revision: D	Designer:	Date: 14/12/2021
Approved By: ETC		Approved Date: 24-05-2023



Raw material: N/A	
Material: N/A	
Tolerance: 2768-1 m	Weight (g): 19303.40
Colour: N/A	
Drawing NO: DFBO50-10	
Description: dflexx Bravo bollard $\varnothing 200 \times 1216$ mm	
If nothing else specified all edges must be chamfered	SHEET 3 OF 3 Scale: 1:10 SIZE: A3